

INDUSTRIAL BAYMASTER™ HL LED LUMINAIRE

- Three lumen outputs provide up to 38,000 lumens.
- Choice of optics for optimal light distribution in a variety of applications; narrow, medium and wide distribution.
- Unique quick mount pendant system allows for easy prewiring without supporting the High Bay in place. Quick mount adapter hood includes one ¾" NPT entry.
- Alternate mounting system allows for "Y" cable mount and easy wiring via a separate field wiring compartment with a screw terminal block (can accept UL/CSA 26-10AWG).
- Two ¾" NPT entries provided. (Two close up plugs provided when quick mount pendant system is ordered).
- One 1/2" NPT close up plug provided on quickmount model for use with accessory drain assembly.
- Choice of color temperature (CCT); 5000K cool white or 3000K warm white.
- Rugged and compact housing with superior thermal design translates to long luminaire life.
- Ambient Temperature: -40 °C up to +65 °C (-40 °F up to +149 °F)
- Heavy duty, high temperature silicone rubber gaskets.
- Thermal shock and impact resistant clear or frosted glass lens.
- Choice of Input Voltages:
 - 120-277 Vac 50/60 Hz, 170-300 Vdc
 - 347-480 Vac 50/60 Hz
- Standard 6kV surge protection.
- Captive fasteners secure one piece lens.
- Field replaceable LED driver and lens cover.

OPTIONS

- Improved safety cable design with multiple retention points, purchase separately
- Guard available, purchase separately
- 10kV Surge Protection
- Y mount cable assembly, purchase separately
- Drain assembly, purchased separately

SUITABLE LOCATIONS

- Powerful, efficient weatherproof lighting for applications such as:
 - Warehouses
 - Waste water treatment facilities
 - Production facilities
 - Processing plants
 - Storage areas
- Locations requiring IP66/67, Type 4X, marine and wet location.
- Locations requiring dependable, consistent lighting in extreme hot/cold temperature environments.

STANDARD MATERIALS

- Housing and lens door: copperfree (4/10 of 1% max.) aluminum
- Gaskets: silicone rubber
- Quick mount hood and body: copperfree (4/10 of 1% max.) aluminum
- Exterior hardware: stainless steel
- Close up plugs: (two ¾", one 1/2") aluminum provided for quick mount, (one ¾") aluminum provided otherwise
- Guard and safety cable: stainless steel

STANDARD FINISHES

- Housing, lens cover, quick mount body and hood; baked gray epoxy powder coat finish, electrostatically applied for complete uniform protection

NEC/CEC RATINGS

- UL Standards:
 - UL1598, Luminaires
 - UL1598A, Luminaires for Installation on Marine Vessels
 - UL 8750, LED Equipment for Use in Lighting Products
- CSA Standards:
 - CSA C22.2 No. 250.0, Luminaires
- cCSAus: 164460 Certificate Number: 70073608

DESIGNLIGHTS™ CONSORTIUM

- All models pending.

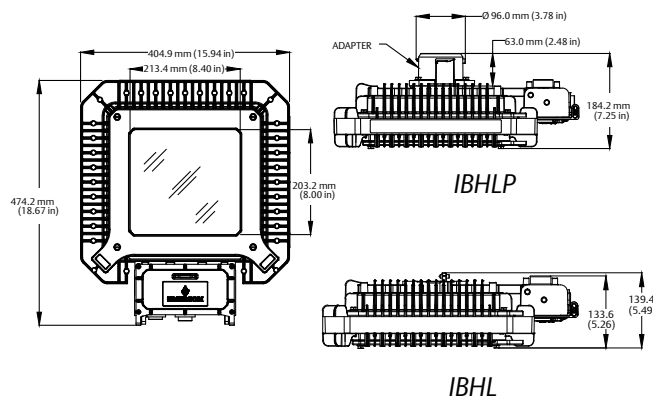
APPLETON


EMERSON™

EMERSON. CONSIDER IT SOLVED.™

		IBHLL1/IBHLPL1	IBHLL2/IBHLPL2	IBHLL3/IBHLPL3
Equivalent to HPS/PSMH		1000 Watt	1000-1500 Watt	1500 Watt
Input Power		180 Watt	225 Watt	310 Watt
Voltage Range	BU	120-277 Vac, 50/60 Hz, 170-300 Vdc	120-277 Vac, 50/60 Hz, 170-300 Vdc	120-277 Vac, 50/60 Hz, 170-300 Vdc
	BH	347-480 Vac, 50/60 Hz	347-480 Vac, 50/60 Hz	347-480 Vac, 50/60 Hz
Luminous Flux (Efficacy) ① for 5000K Clear	Type V Narrow (80° beam angle)	24500 (136)	30400 (135)	39000 (126)
	Type V Medium (120° beam angle)	24400 (136)	30400 (135)	37600 (121)
	Type V Wide (140° beam angle)	20700 (115)	25900 (115)	33400 (108)
Correlated Color Temperature (CCT)		3000K/5000K	3000K/5000K	3000K/5000K
Color Rendering Index (CRI)		80/70	80/70	80/70
Ambient Temperature (NEC/CEC)		-40 °C (-40 °F) to +65 °C (+149 °F)	-40 °C (-40 °F) to +65 °C (+149 °F)	-40 °C (-40 °F) to +55 °C (+149 °F)
Luminaire Weight		16.1 kg (35.4 lb)	16.1 kg (35.4 lb)	16.1 kg (35.4 lb)
Standard Materials		Housing: copperfree aluminum		
		Finish: baked grey epoxy clad finish		
		Lens: thermal shock- and impact-resistant glass or optional frosted glass		
Lifetime		>100,000 hours @ +40 °C (+104 °F) ambient temperature		
		>60,000 hours @ +65 °C (+149 °F) ambient temperature		
Warranty		5 years standard; 10 years for models with secondary optic and extra surge protection		

① All values typical +/-10%



Product Ordering Guide

IBHL	P	L2	C	G	M	N	BU	S
Series:	Mounting:	Lumen Level:	Color Temp CCT:	Diffusion:	Light Pattern:	Dimming:	Voltage:	
IBHL - Industrial Baymaster HL LED Series	P - Quick Mount Pendant	L1 - 24K	C - 5000K	G - Clear Glass	M - Medium	N - None	BU = 120V-277Vac 50/60 Hz, 170-300 Vdc	F - Fusing ④
	Blank - No Quick Mount	L2 - 30K L3 - 38K	W - 3000K ②	F - Frosted Glass ③	W - Wide N - Narrow		BH = 347-480Vac 50/60 Hz	S - 10kV Surge Protection

Example: IBHLPL2CGMNBUS

② 3000K CCT (Warm) is only available with Type V Wide or Narrow light patterns

③ Frosted Glass is only available with Type V Medium light pattern

④ Use of fuse voids Marine rating.